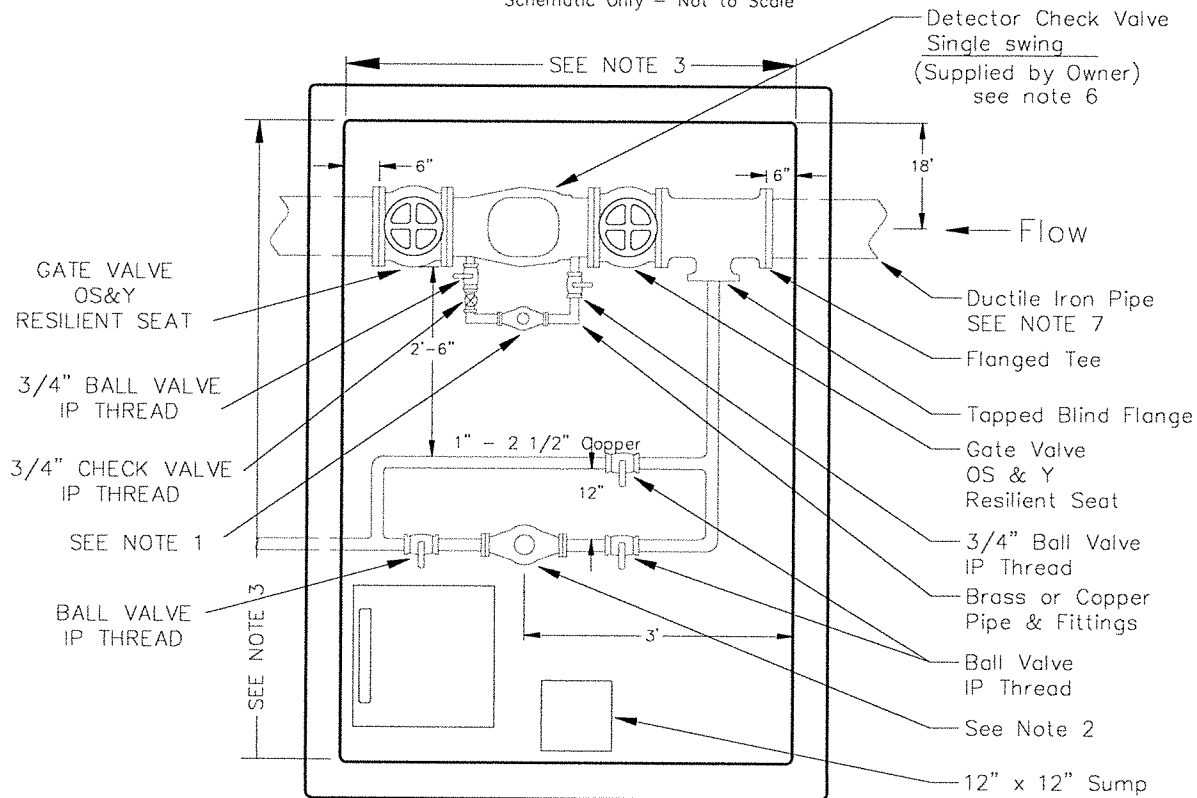


Second Taxing District Water Department

Typical Separate Fire Service with Domestic Service

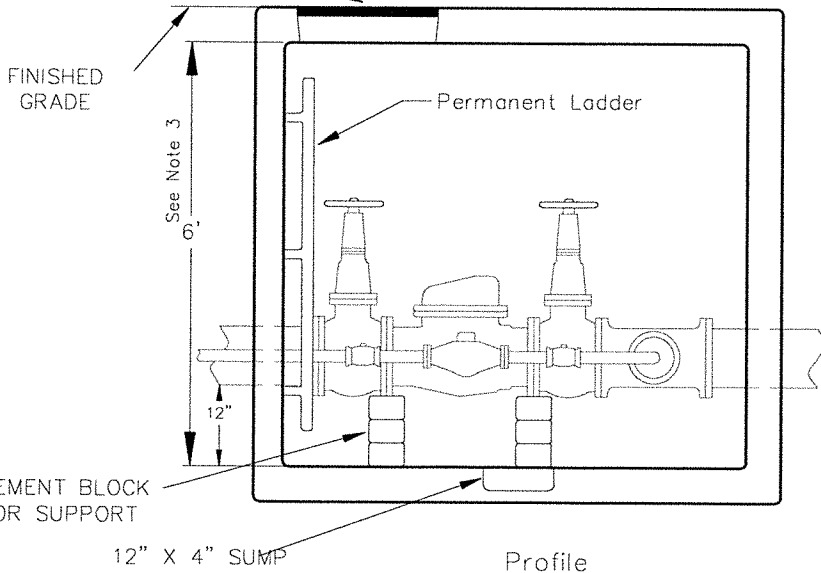
Schematic Only - Not to Scale



Plan View

REINFORCED CONCRETE VAULT

BILCO TYPE J 2'-6" X 2'-6"
DOOR OR EQUAL
see note 5



Notes

1. & 2. By-pass and Domestic Meters w/Companion Flanges Supplied by SDWD

3. Minimum vault dimensions:

F.S. size	Vault I.D.
4" & 6"	6' X 8'
8"	7' X 9'
10" & 12"	8' X 9'

 Submitt vault shop drawing for approval

4. Vault must be within 10' of property line

Vault access door Must Not be located in any parking area or traveled portion of a drive. The vault must be accessible at all times

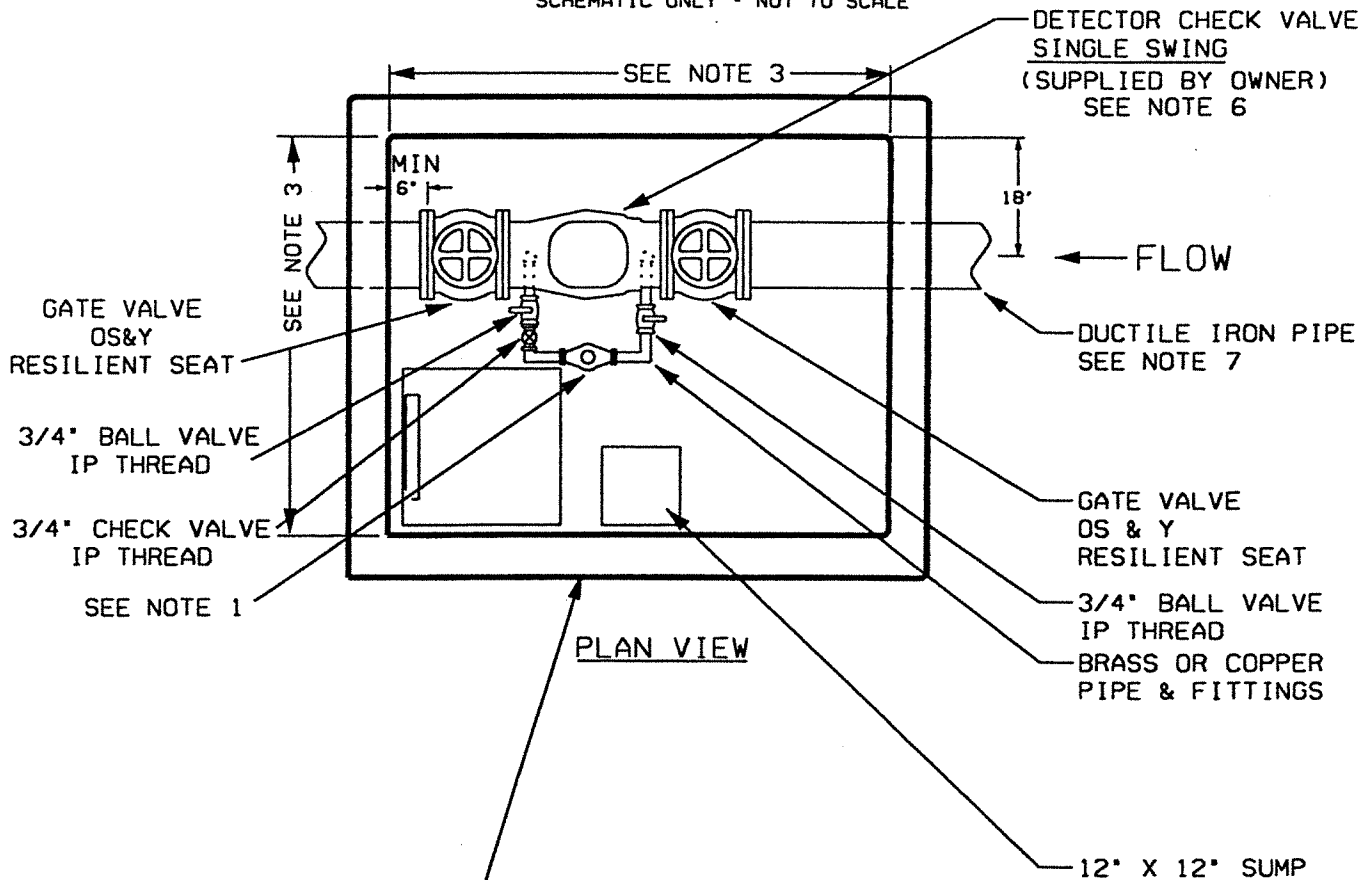
6. APPLICANT MUST SUBMIT MANUFACTURERS SPECS FOR PROPOSED DETECTOR CHECK

7. No reduction in fire service size may be made within the vault

SOUTH NORWALK ELECTRIC AND WATER

TYPICAL FIRE SERVICE ONLY

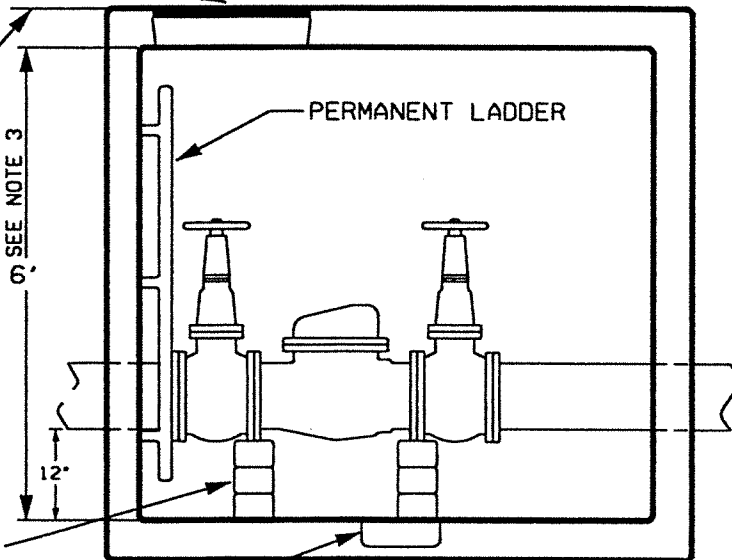
SCHEMATIC ONLY - NOT TO SCALE



REINFORCED CONCRETE VAULT

BILCO TYPE J 2'-6" X 2'-6"
DOOR OR EQUAL
SEE NOTE 5

FINISHED GRADE



CEMENT BLOCK
FOR SUPPORT

12" X 4" SUMP

PROFILE

NOTES

- 1.. BY-PASS METER W/COMPANION FLANGES SUPPLIED BY SNEW
3. MINIMUM VAULT DIMENSIONS:

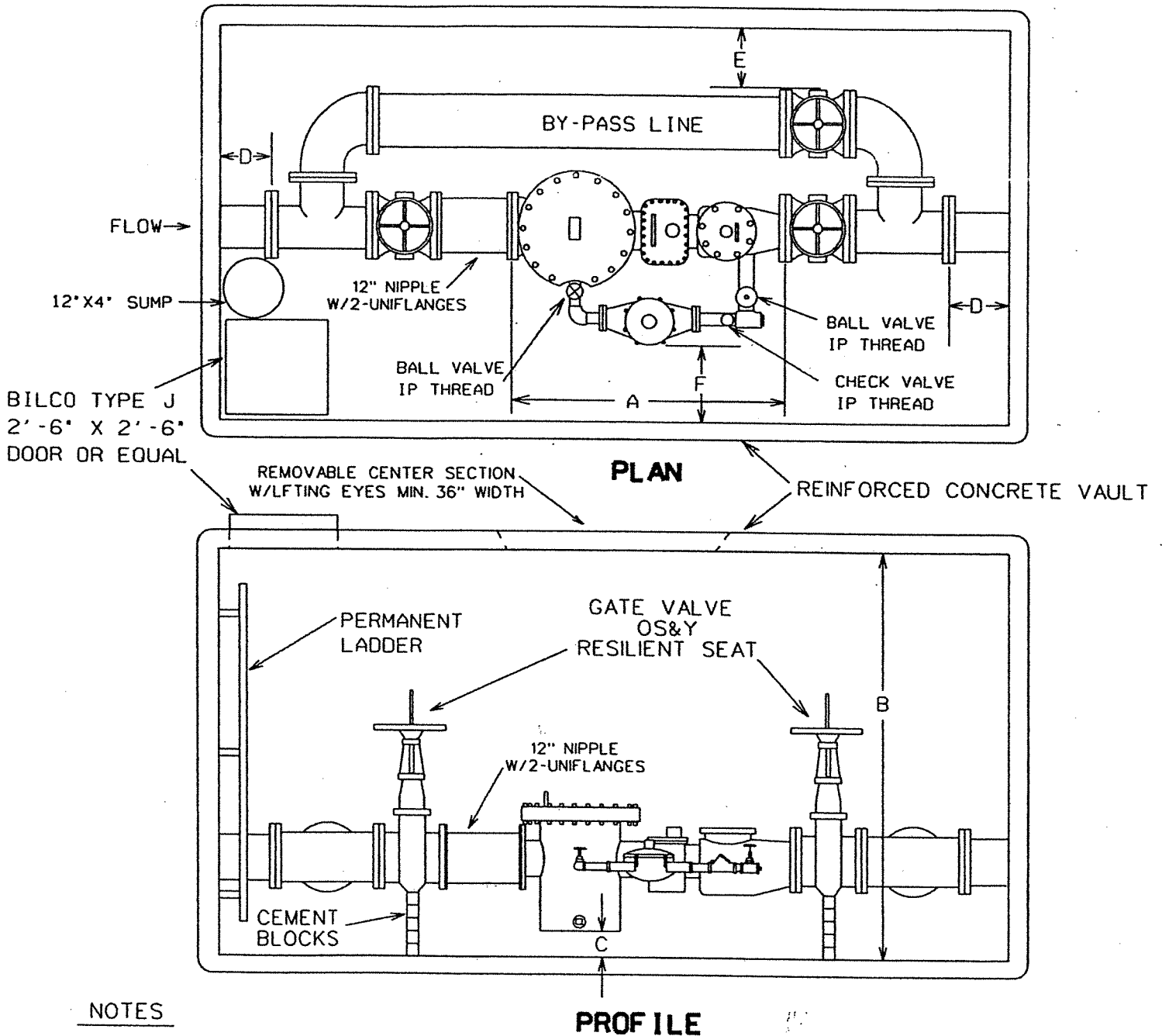
F.S. SIZE	VAULT I.D.
4" & 6"	6' X 7'
8"	7' X 7'
10" & 12"	8' X 8'

 SUBMIT VAULT SHOP DRAWING FOR APPROVAL
4. VAULT MUST BE WITHIN 10' OF PROPERTY LINE
5. VAULT ACCESS DOOR MUST NOT BE LOCATED IN ANY PARKING AREA OR TRAVELED PORTION OF A DRIVE. THE VAULT MUST BE ACCESSIBLE AT ALL TIMES
6. APPLICANT MUST SUBMIT MANUFACTURERS SPECS FOR PROPOSED DETECTOR CHECK
7. NO REDUCTION IN FIRE SERVICE SIZE MAY BE MADE WITHIN THE VAULT

REVISED DECEMBER 2004

SECOND TAXING DISTRICT WATER DEPARTMENT TYPICAL COMBINED FIRE AND DOMESTIC SERVICE

SCHEMATIC ONLY- NOT TO SCALE



NOTES

1. METER SUPPLIED BY WATER DEPT.
2. VAULT MUST BE WITHIN TEN FEET OF THE PROPERTY LINE.
3. VAULT ACCESS DOOR MUST NOT BE LOCATED IN ANY PARKING AREA OR TRAVELED PORTION OF A DRIVE. THE VAULT MUST BE ACCESSIBLE AT ALL TIMES
4. VAULT DIMENSIONS ARE MINIMUMS. SUBMITT SHOP DRAWING FOR APPROVAL

Minimum Vault Dimensions

METER SIZE	A	B	C	D	E	F	MINIMUM VAULT I.D.
4"	33"	72"	3"	12"	18"	18"	5' X 8'
6"	45"	↓	↓	↓	↓	↓	6' X 10'
8"	53"	↓	↓	↓	↓	↓	7' X 11'
10"	68"	↓	↓	↓	↓	↓	8' X 14'